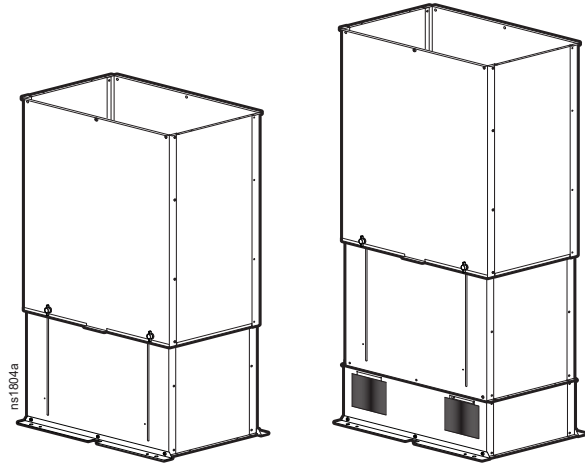


Vertical Exhaust Duct (VED) System

AR7751, AR7751W, AR7752, AR7752W, AR7753, AR7753W, AR7754, AR7754W, AR7755, AR7755W, AR7756, AR7756W



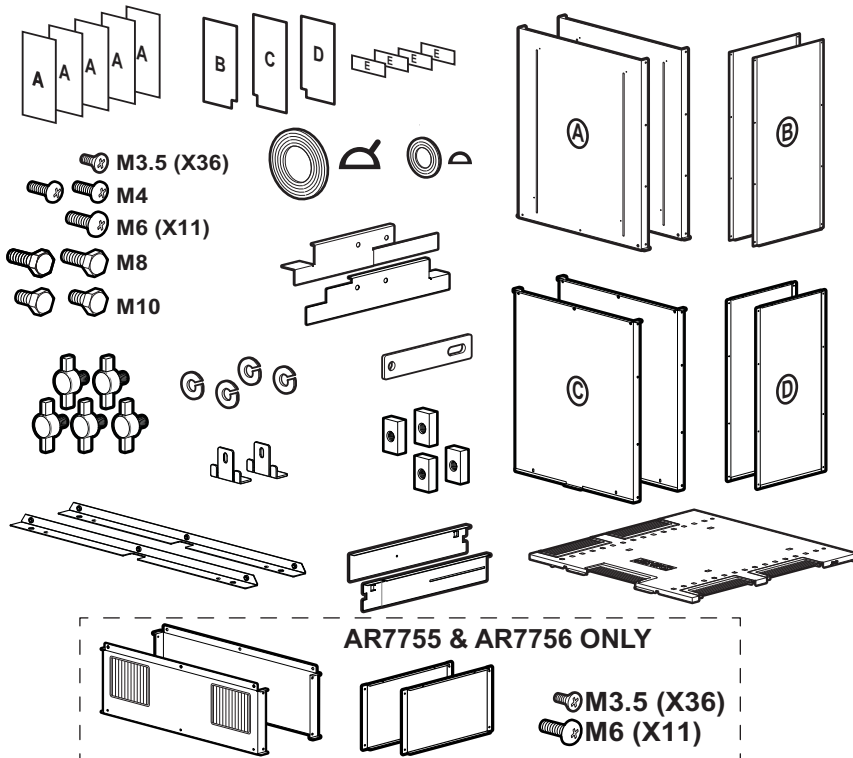
Customer support for this or any other Schneider Electric product is available at www.schneider-electric.com.

© 2016 Schneider Electric. All Rights Reserved

990-3958C

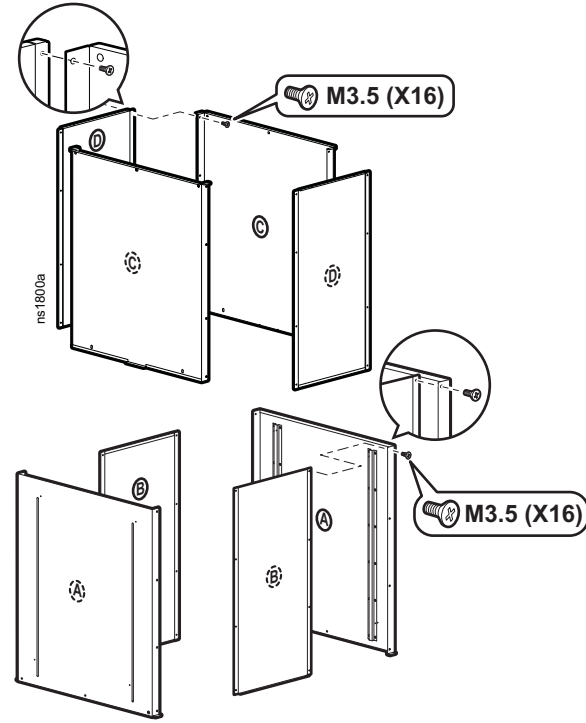
02/2018

Inventory Assembly

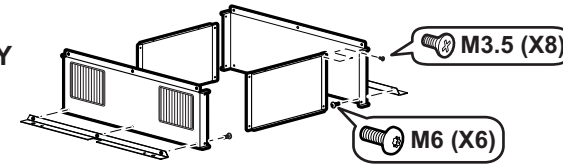


Vertical Exhaust Duct

1

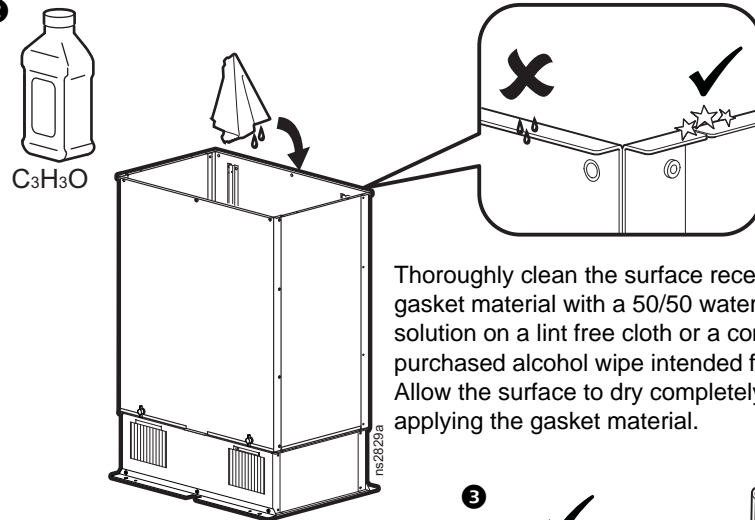


AR7755 & AR7756 ONLY



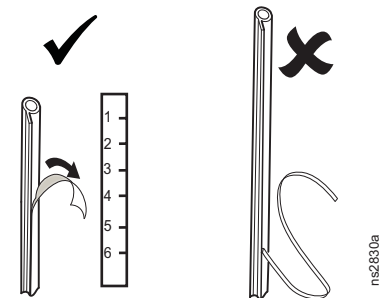
NOTE: A gasket installation video is available at <https://www.trrimlok.com/rsinstall>

2



Thoroughly clean the surface receiving the gasket material with a 50/50 water/alcohol solution on a lint free cloth or a commercially purchased alcohol wipe intended for this use. Allow the surface to dry completely before applying the gasket material.

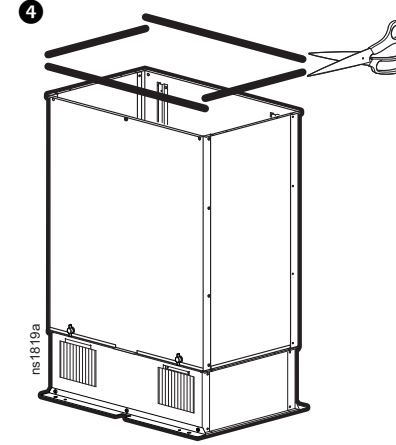
3



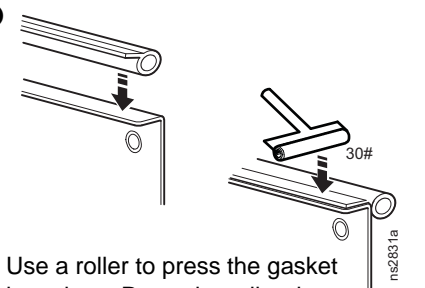
Remove only a few inches of the backing tape protecting the adhesive side of the gasket when preparing for installation.
NOTE: Removal of too much of the backing tape at one time risks contamination of the adhesive which can cause adhesion failure.

NOTE: Discard any gasket material that is removed even if only to reposition it. Clean the area again with the alcohol wipe and use a new piece of gasket material.

4



5



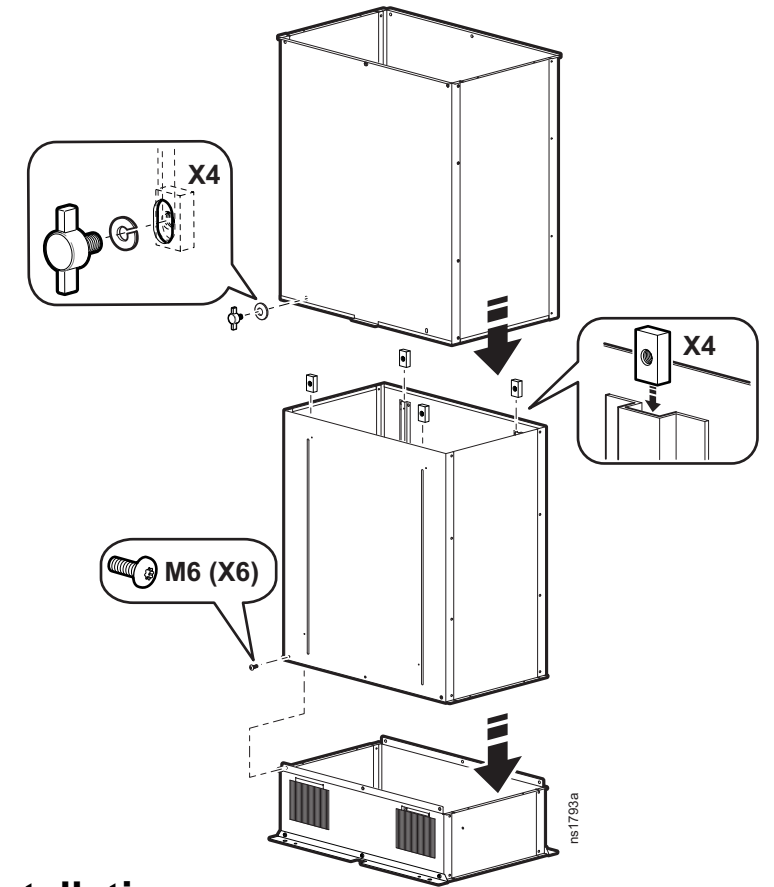
Use a roller to press the gasket into place. Press the roller down firmly using about 30 lb/in of applied pressure.

6



NOTE: Wait 24 hours for adhesive to set before compressing or stressing the gasket.

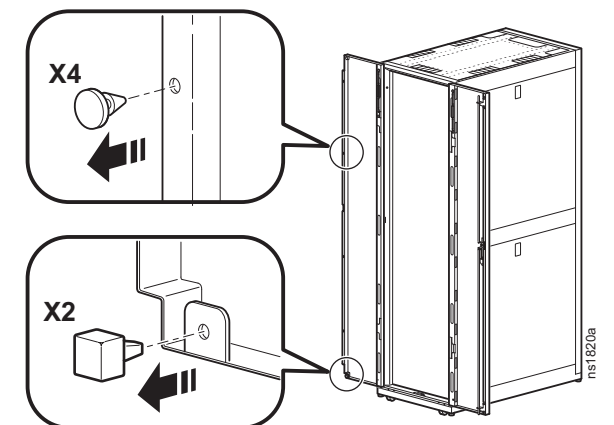
7



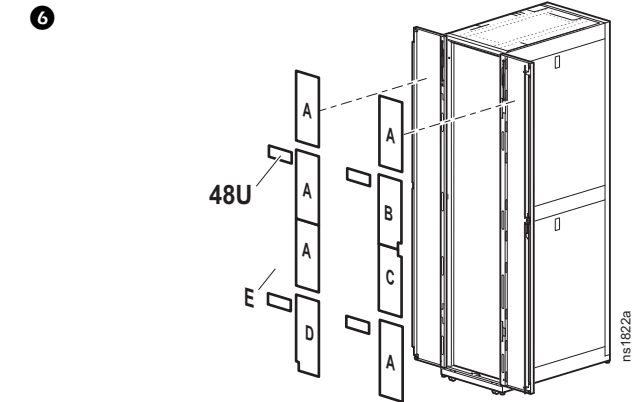
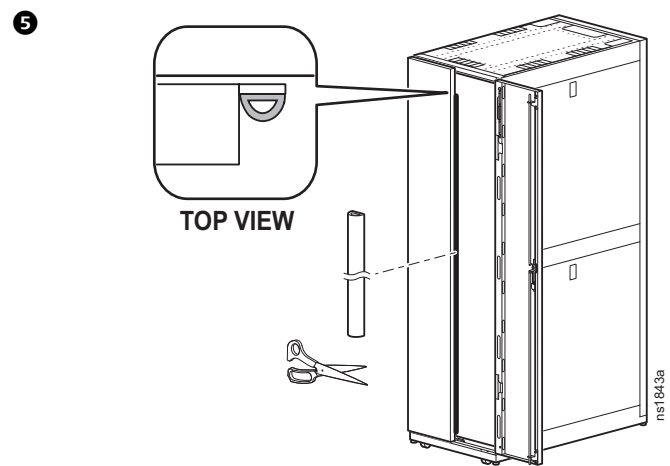
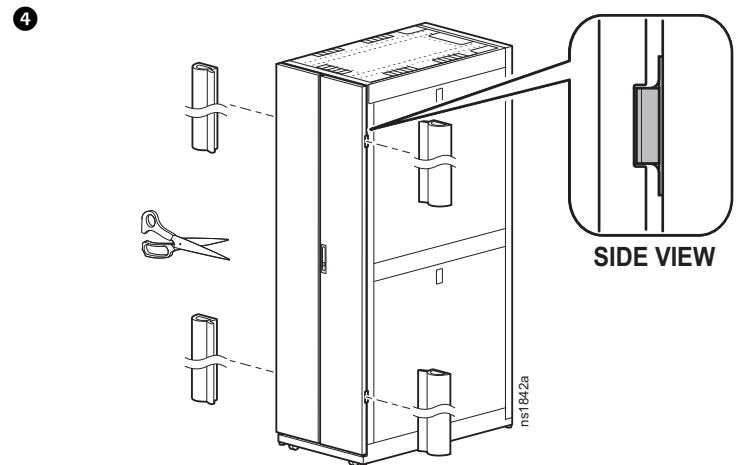
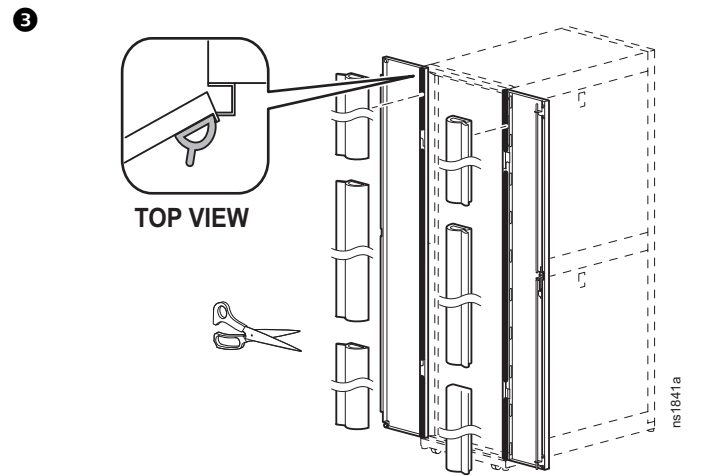
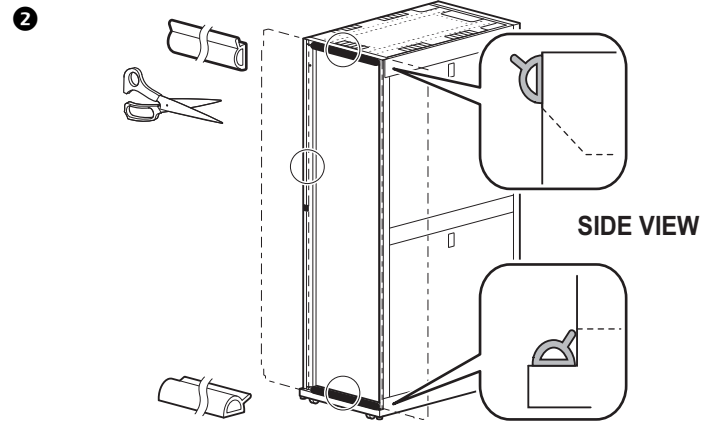
Installation

Door Seal

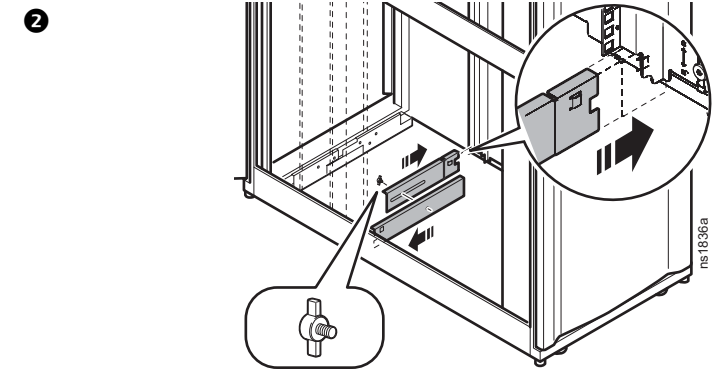
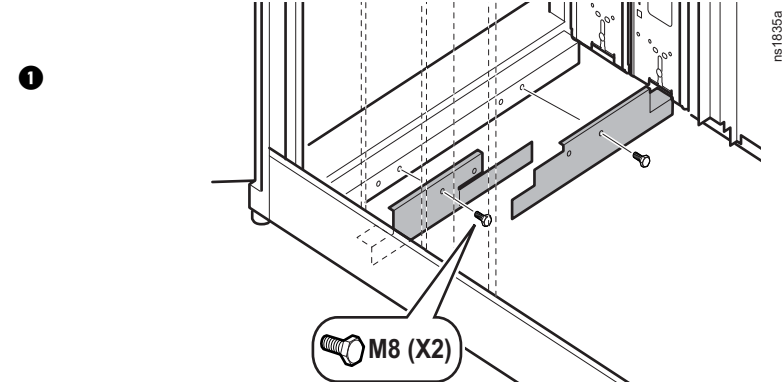
1



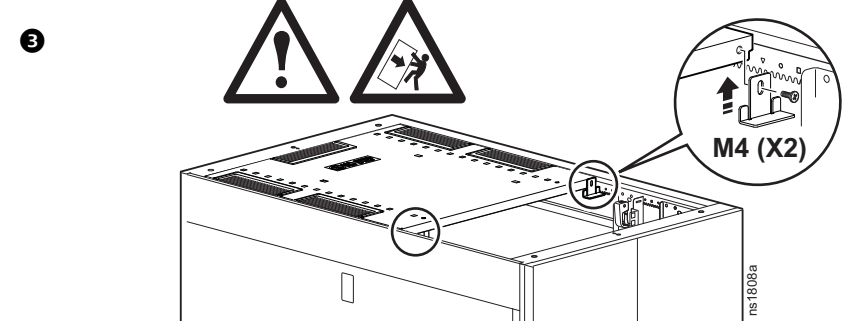
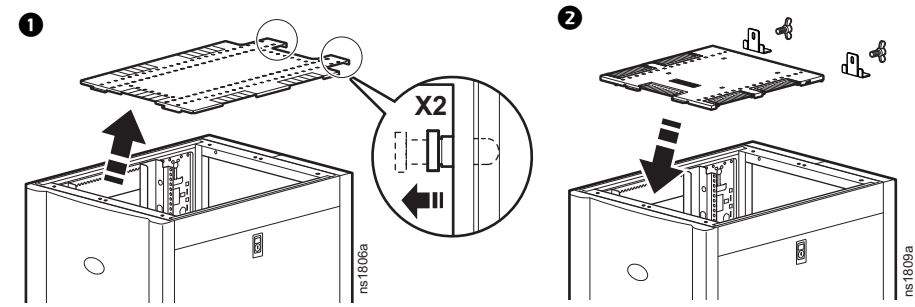
NOTE: Be sure to use the gasket installation instructions from the Assembly section when installing gasket material in the Installation section.



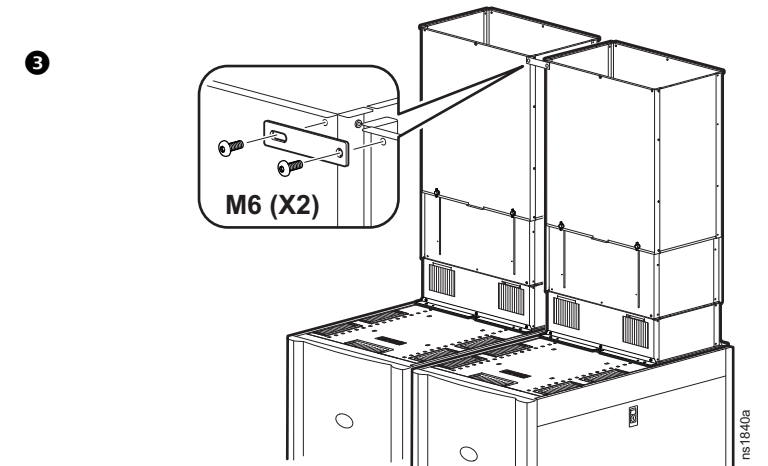
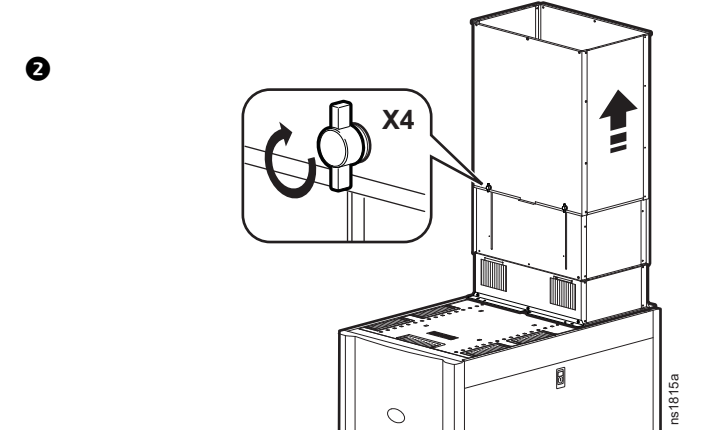
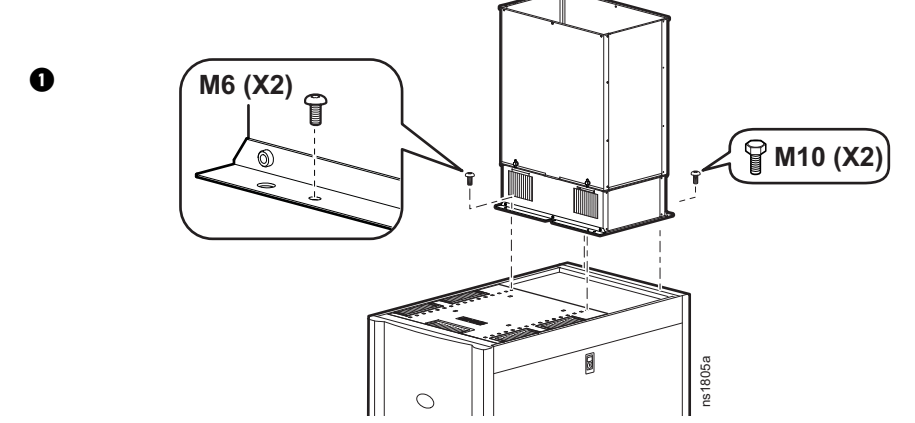
Floor Seal



Roof



Duct



Accessories (not included)

